



2005 Hawker 800XPi



SERIAL NUMBER: 258705

TT: 9127.5

TC: 6,657

CALIBER AIRCRAFT SOLUTIONS

Highlights

-New Exterior Paint Applied in 2024

-New carpet in 2024

-Current on 12/24/48 Month Insp.

-Operated Part 91

-Engines on MSP Gold

-ADS-B Out Compliant



Aircraft Information



Airframe

Serial Number: 258705
Registration Number: N920EJ
Times: 9,127.5
Cycles: 6,657
Part 91

APU

Serial Number: P-458
Times: 13,543.3

Engine #1

Serial Number: P-107611
Times: 5,915.7
Cycles: 4,997
TSO: N/A

Engine #2

Serial Number: P-107591
Times: 5,915.7
Cycles: 4,976
TSO: N/A



Aircraft Avionics Specifications



Avionics: Proline-21 Avionics Suite

Air Data Computer: Collins ADC-3000

Cockpit Voice Recorder: Universal CVR-120

Communications: Dual Collins VHF-422C

Control Display Units: Dual Collins CDU-6200

Data Loader: Honeywell DL-950

Distance Measuring Equipment: Dual Collins DME-442

Emergency Locator Transmitter: ACR/Artex C406-2 ELT

EGPWS: Honeywell MK-V EGPWS Computer

Flight Data Recorder: Flight Data Recorder

Flight Guidance Computer: Dual Collins FGC-3000

Flight Management System: Dual Collins FMC-6000

Global Positioning System: Dual Collins GPS-4000S

High-Frequency: Dual Collins VHF-422C

Navigation: Dual Honeywell RNZ-850/851

Radio Altimeter: Collins ALT-4000

SELCAL: 1200008-002 SELCAL Unit

Traffic Collision Avoidance System: Collins TTR-4000

Transponder: Collins TDR-94D Mode-S Transponder ADSB-Out Version 2

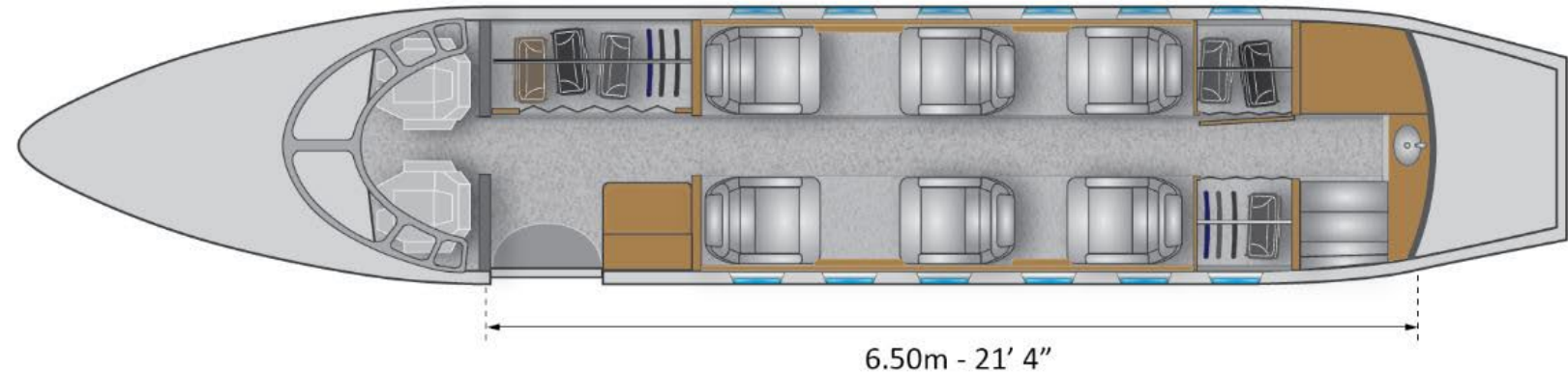
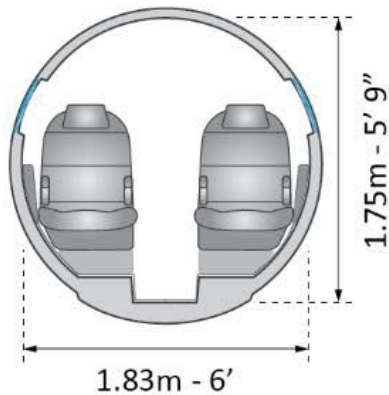
Weather Radar: Collins TWR-850



Aircraft Cabin Layout



- 6 Passenger Cabin Layout
 - Aft Lavatory
- Fwd 4 Seat Club Section
- Aft 2 Single Seat Section







CALIBER
— AIRCRAFT —

Vincent Morelli

(302) 510-7203

Vincent.Morelli@CaliberAC.com

www.CaliberAC.com
